

JENN-AIR



Use and Care Guide

COMPACTOR

MODEL TC407



Table of Contents

Compactor Safety	3
Electrical Requirements	4
How Your Compactor Works	4
Parts and Features	5
Installing Your Compactor	6
Unpacking your compactor	6
Space requirements	6
Freestanding and undercounter installation.....	7
Adjusting the toe plate	9
Air freshener	9
Changing the standard panel	9
Using Your Compactor	10
Starting your compactor	10
Stopping your compactor	10
Installing a new bag	11
Removing a filled bag	11
Cleaning Your Compactor	12
Cleaning exterior surfaces	12
Cleaning inside the drawer	12
Cleaning inside the cabinet.....	12
Cleaning the ram.....	13
Troubleshooting	13
Requesting Assistance and Service	14
Recycling With Your Compactor	15
Warranty	16

Compactor Safety

Your safety and the safety of others is very important.

We have provided many important safety messages in this manual and on your appliance. Always read and obey all safety messages.



This is the safety alert symbol.

This symbol alerts you to hazards that can kill or hurt you and others.

All safety messages will be preceded by the safety alert symbol and the word "DANGER" or "WARNING." These words mean:

⚠ DANGER

You will be killed or seriously injured if you don't follow instructions.

⚠ WARNING

You can be killed or seriously injured if you don't follow instructions.

All safety messages will identify the hazard, tell you how to reduce the chance of injury, and tell you what can happen if the instructions are not followed.

IMPORTANT SAFETY INSTRUCTIONS


WARNING: When using an electrical appliance, basic precautions should always be followed, including the following:

- Read all instructions before using the compactor.
- Close supervision is necessary when used by or near children. Do not allow to be used as a toy, or to run unattended at any time. Lock Key Switch when not in use and store key out of reach of children.
- Do not touch moving parts.
- Do not operate with a damaged cord set, plug, motor, or after damage in any manner. Have the compactor examined, repaired or adjusted by an authorized serviceperson.
- Use only for intended use as described in this manual. Do not use other than manufacturer's recommended attachments.
- Do not compact toxic or volatile flammable material such as oily rags and insect sprays. Do not compact lighted cigarettes, cigars, or other hot or burning items. Do not overload the compactor.
- Do not take apart the compactor. Incorrect reassembly can cause electric shock when subsequently used.
- Handle a loaded trash bag with care. Sharp objects can pierce the bag and cause injury. Do not overload trash bag with heavy material such as glass.
- This compactor is intended for household use only.

SAVE THESE INSTRUCTIONS

Electrical Requirements

! WARNING

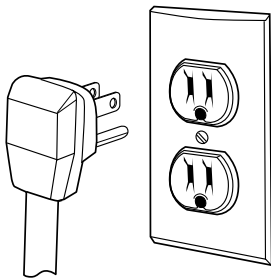


Electrical Shock Hazard

Plug into a grounded 3 prong outlet.
Do not remove ground prong.
Do not use an adapter.
Failure to follow these instructions can result in death, fire, or electrical shock.

Recommended grounding method

This compactor is for use on a single phase, 115-volt, 60 Hz, AC only 15 or 20 ampere fused and properly grounded circuit and is equipped with a grounding plug as shown below. Time delay fuse or circuit breaker is recommended. It is recommended that a separate circuit serving only this appliance be provided. In the event of an electrical short circuit, grounding reduces the risk of electric shock by providing an escape wire for the electric current. Do not modify the plug attached to the compactor; use only with a grounded receptacle.



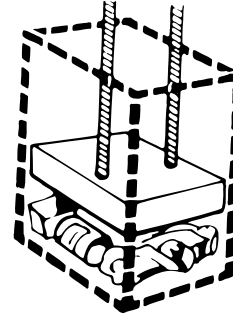
This compactor must be grounded while in use to reduce the risk of electric shock. The compactor is equipped with a three-conductor cord and three-prong grounding-type plug to fit the proper grounding-type receptacle. The green (or green and yellow) conductor in the cord is the grounding wire. Never connect the green (or green and yellow) wire to a live terminal. The outlet should be properly installed and grounded in accordance with the National Electrical Code and local codes and ordinances. No adapter should be used with this appliance.

How Your Compactor Works

The compacting ram is the part of the compactor which compresses the trash. The compacting ram does not go to the bottom of the drawer. You will not see compacting of trash the first few times you load the compactor.

NOTE: The compactor drawer should be about 1/2 full before the compactor can begin to compress the load.

You may hear a noise when glass breaks. Strong glass bottles may not break at all.



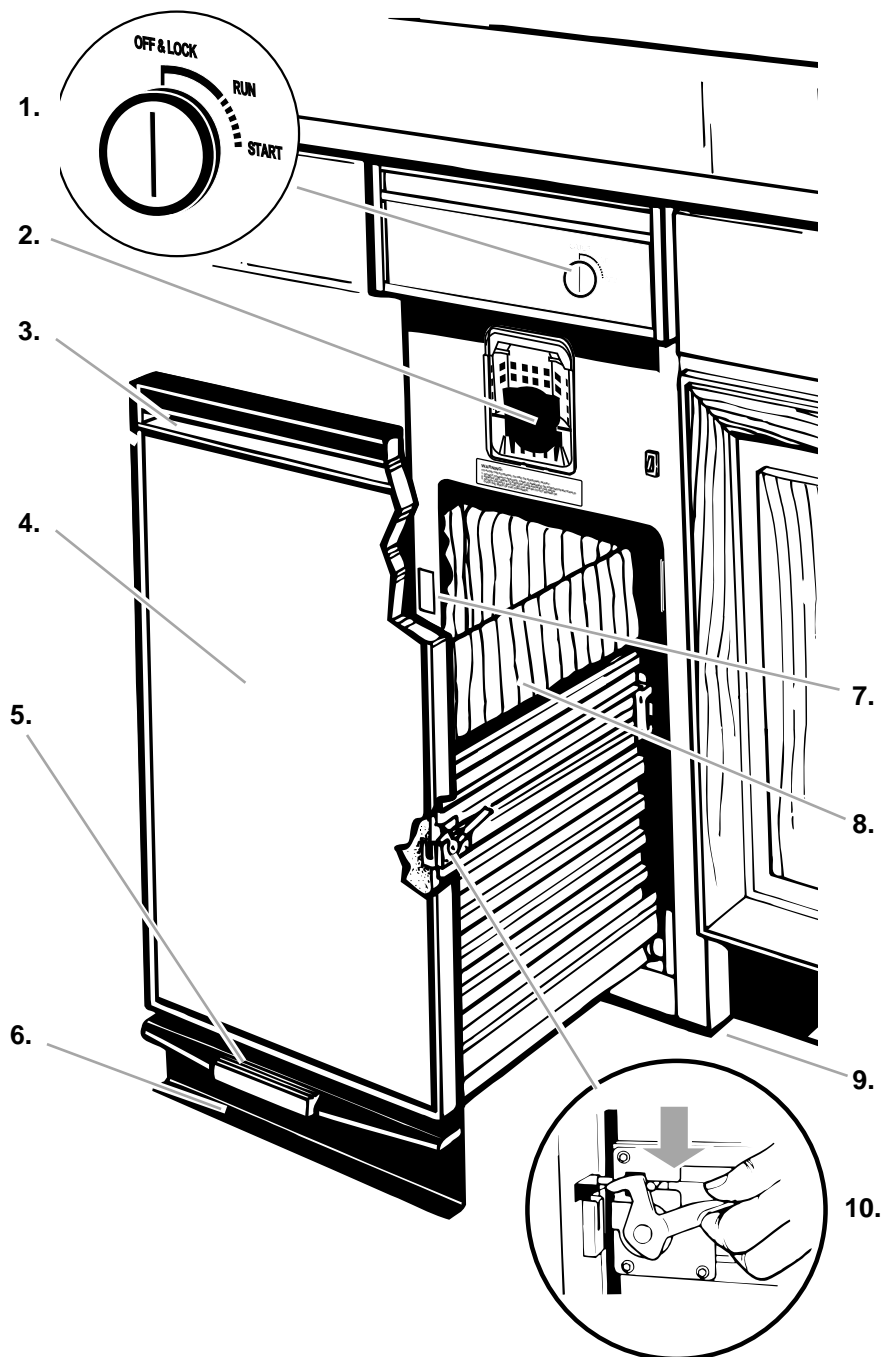
The trash in a full compactor bag will be about 1/4 the size of its original bulk.



Load bulky trash, bottles, and cans in the center of the drawer. Bottles or cans not placed in the center may become caught between the ram and the drawer. The drawer monitor switch senses a "misload" and causes the ram to return to the "up" position without compacting.



Parts and Features



- 1. Control Knob
- 2. Air Freshener Compartment
- 3. Drawer Handle
- 4. Reversible Drawer Panels
- 5. Toe Bar

- 6. Toe Plate
- 7. Model and Serial Number Label
- 8. Removable Bag
- 9. Front Leveling Glides
- 10. Side-Lock Latch

Installing Your Compactor

IMPORTANT:

Installer: Leave Use and Care Guide with the homeowner.

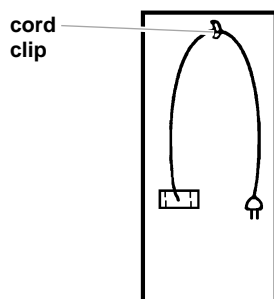
Homeowner: Keep Use and Care Guide for future reference and for local electrical inspector's use, if required.

Unpacking your compactor

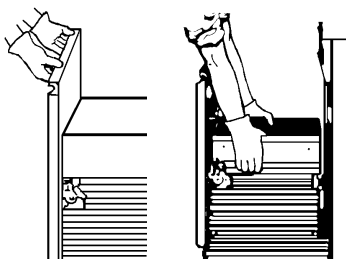
NOTE:

- Do not grasp console to move compactor.
- Begin in the room where the compactor will be located.

1. Remove compactor from shipping carton. Remove all protective packaging materials such as tape and shipping pads. Remove waxy residue caused by protective shipping material with a mild solution of liquid household cleaner and water.
2. Check that power supply cord is attached to the cord clip on the rear of the compactor.



3. Place two corner posts from carton on floor near compactor. Open compactor drawer and remove any shipping materials or other items shipped in the drawer. Do not remove the compactor bag (if installed). Grasp the handle and raise the front of drawer until it clears the drawer stops. Grasp sides of drawer and lift drawer out of compactor. Place the drawer on the two corner posts.



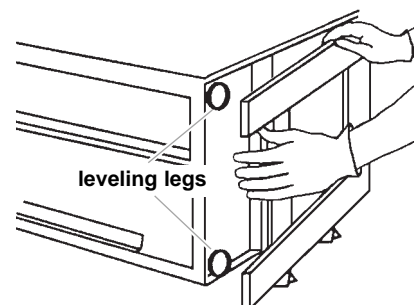
⚠ WARNING

Excessive Weight Hazard

Use two or more people to move and install compactor.

Failure to do so can result in back or other injury.

4. Place the other two corner posts on the floor to the side of the compactor. Grasp the sides of the compactor cabinet and put compactor on its side on top of the corner posts. Remove the shipping base from the bottom of compactor.

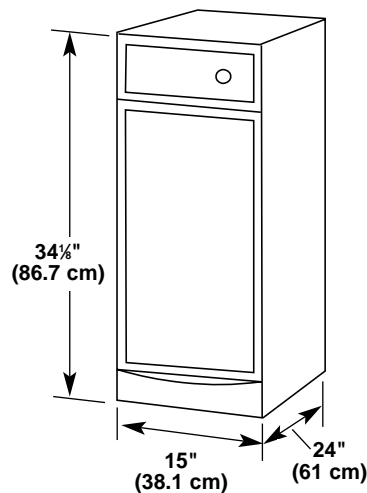


Space requirements

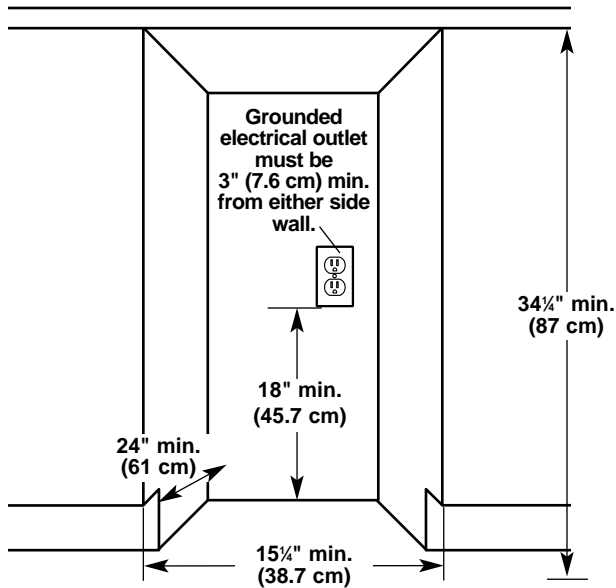
Check the location where your compactor will be installed. The cabinet opening should be square. You should be able to fully open the compactor drawer. Six inches (15.2 cm) of clearance is needed on the right side of compactor drawer to be able to remove compactor bag. Allow 23 inches (58.4 cm) in front of the compactor to remove drawer.

Product dimensions

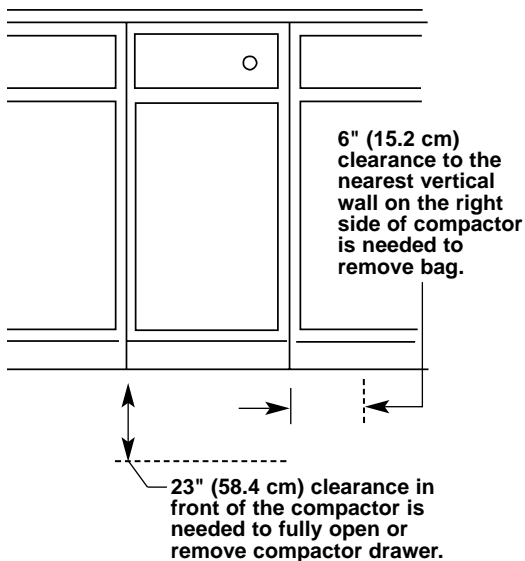
The overall look of your compactor may vary.



Cutout dimensions



Clearance dimensions



Freestanding and undercounter installation

NOTE: Proper installation is your responsibility. Make sure you have everything necessary for correct installation. It is the personal responsibility and obligation of the customer to contact a qualified installer to assure that electrical installation meets all national and local codes and ordinances.

Tools and materials needed for installation:

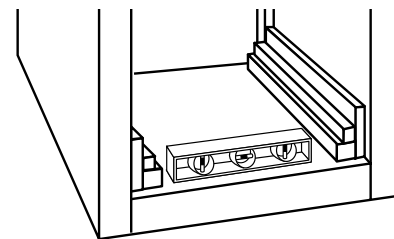
Level
Pliers
Scissors
Phillips Screwdriver
Flat-Blade Screwdriver
Utility Knife
Measuring Tape
5/16"-Box-End Wrench
Gloves

IMPORTANT:

- Do not grasp console to move compactor.
- Slide compactor onto cardboard or hardboard before moving compactor across floor to prevent damaging floor covering.
- Do not allow the rear frame of the compactor to touch the floor covering when lifting or moving compactor.

Freestanding installation

1. Use pliers to lower leveling legs away from cabinet. Place level inside on the floor of the cabinet. Check that the compactor is level from front to back and side to side. Adjust the leveling legs until the compactor is level.



2. Move the compactor close to its final position. Plug the power supply cord into a 3 prong grounded outlet.
3. Carefully move compactor into its final position. Check that compactor is still level. Repeat step 1 if necessary.

- Grasp sides of compactor drawer and place bottom of drawer into tracks. Lift at the handle so drawer will go over drawer stops. Close drawer. Check if drawer opens freely. If the toe plate rubs against floor, see the "Adjusting the toe plate" section for further instructions.

Undercounter installation

NOTE: Installation hardware is not provided with full cabinet models.

- Measure the height of your cabinet opening. The top of the compactor should be at least $\frac{1}{8}$ " (3 mm) from the top of the cabinet opening.

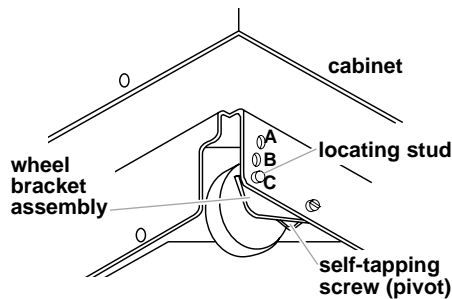
The rear wheels are preset for a cabinet opening height of $34\frac{1}{4}$ " (87 cm) (Position "A").

To adjust for other cabinet opening heights, loosen screw just enough to clear stud from hole in position "A." Move the rear wheel and stud to position "B" or "C" as needed for your cabinet opening measurement:

Position B: $34\frac{1}{4}$ " to $34\frac{7}{16}$ " (87 to 87.5 cm)

Position C: $34\frac{7}{16}$ " to $34\frac{5}{8}$ " (87.5 to 88 cm)

Tighten screw. Repeat for other rear wheel.



- Use pliers to lower leveling legs away from cabinet. Adjust legs so there will be a $\frac{1}{8}$ " (3 mm) to $\frac{1}{4}$ " (6.4 mm) space between the top of the compactor and the top of the cabinet opening. Stand the compactor upright.
- For model with cabinet, remove the plastic plugs from the compactor cabinet top.

- Determine if you want the compactor frame or drawer front flush with the cabinet front.

Using the two #8 -18 x $\frac{5}{16}$ " screws, install the retaining brackets to cabinet top as needed:

If the compactor frame is to be flush with the cabinet front, place retaining bracket screws through "A."

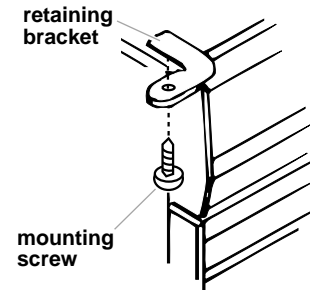
If the compactor drawer front is to be flush with the cabinet front, place retaining bracket screws through "C."

If the compactor is to be midway between "A" and "C," place retaining bracket screws through "B."

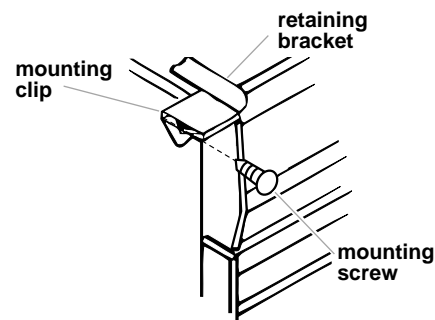
- Carefully lift the front slightly and roll compactor into the cabinet opening.

Using the two #8 -18 x $\frac{1}{2}$ " screws, fasten the retaining brackets to the underside of the countertop with the mounting screws.

If brackets cannot be attached to the underside of countertop, attach mounting clips to brackets. Fasten compactor to cabinet front with mounting screws through mounting clips.

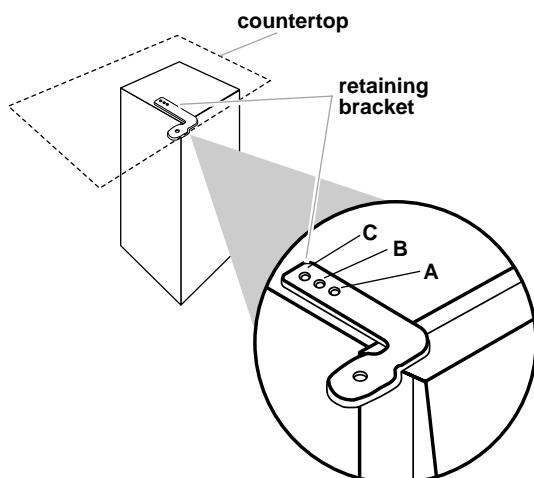


Countertop mounting



Cabinet-front mounting

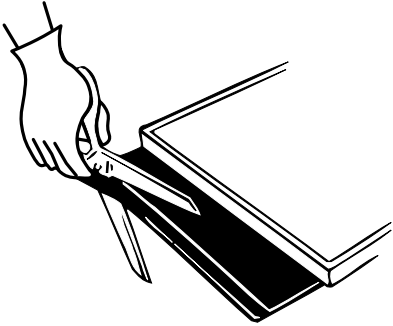
- Grasp sides of compactor drawer and place bottom of drawer into tracks. Lift at the handle so drawer will go over drawer stops. Close drawer. Check if drawer opens freely. If the toe plate rubs against floor, see the "Adjusting the toe plate" section for further instructions.



Adjusting the toe plate

If the toe plate rubs the floor covering, the toe plate clearance may be changed as follows:

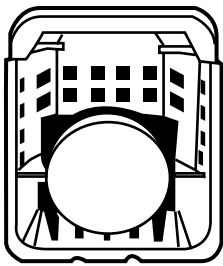
1. Mark on each side of the toe plate the amount of toe plate that rubs the floor covering.
2. Remove the drawer from the unit. (See step 3, in the "Unpacking your compactor" section.)
3. Use a ruler and a pencil or chalk to draw a line between the marks on each side of toe plate.
4. Use scissors or utility knife to cut toe plate along line.



5. Replace drawer. If toe plate still rubs floor covering, repeat steps 1-4.

Air freshener

The solid air freshener system is designed to help control odors that might develop in the trash. An air freshener disc can be purchased in department stores (not sold with compactor). Place the disc-shaped solid air freshener into the compartment as shown below. The air freshener disc should last approximately 4 to 6 weeks. It is used more rapidly when the temperature is high or the air is very dry. Replacement discs are available in department stores or supermarkets.



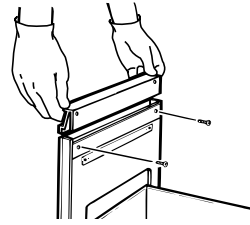
Changing the standard panel

The Jenn-Air compactor comes equipped with one reversible front panel painted Black/White.

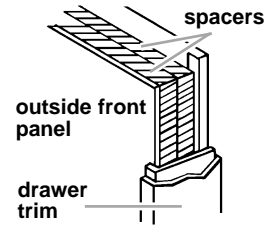
To change the color of your compactor's front panel, follow the directions below. All you need is a medium-sized screwdriver.

1. Slide drawer out.
2. Remove two screws shown.

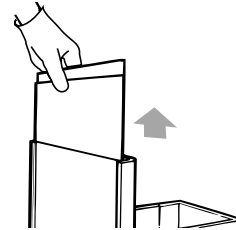
3. Remove handle.
4. Remove one cardboard spacer.



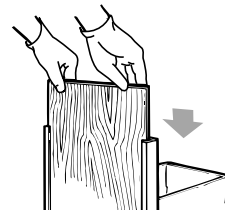
5. Remove the color panel. Be careful; edges may be sharp.



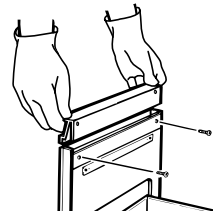
6. Replace panel at front with desired color showing.
7. Make sure panels are all the way down.



8. Be sure to replace cardboard spacer in its former position.



9. Replace handle and screws.



10. Slide drawer back in.

Using Your Compactor

⚠ WARNING



Explosion Hazard

Do not compact any container, aerosol cans, or cloths which might contain insecticide, hair spray, engine starting fluid, paints, liquids, thinners, or any other poisonous or explosive products.

Doing so can result in death, explosion, or fire.

⚠ WARNING



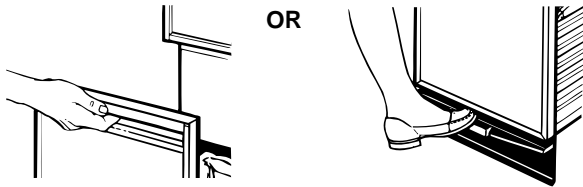
Cut Hazard

Do not push items down into compactor with hands or feet.

Doing so can result in cuts.

Open the drawer

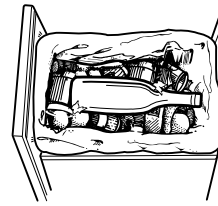
Lift and pull the handle or press the drawer opener to open the drawer.



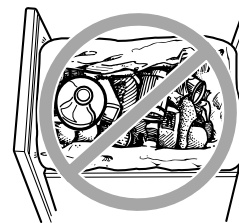
Put in the trash

NOTE: You will not see compacting of trash the first few times you load the compactor. The compactor drawer should be about 1/3 full before the compactor can begin to compress the load.

1. Wrap or cover wet or messy trash.
2. Load bottles or cans on their sides in the center of the drawer.



3. Do not load bottles in an upright position in drawer as shown here.



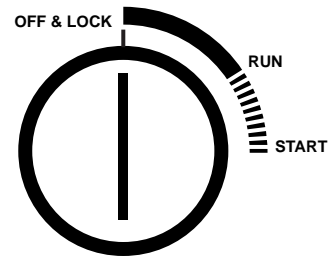
4. Do not compact items that may develop offensive odors such as raw meat, fish, grapefruit rinds, disposable diapers, or personal hygiene items.

Close the drawer

Push drawer in until it stops.

Starting your compactor

1. Turn the Control Knob to START. As soon as the compactor starts, release the Control Knob. The knob will then advance to the RUN position and begin the compacting cycle.



2. A complete compacting cycle takes about 27 seconds. The compactor will automatically stop.

Stopping your compactor

1. Turn the Control Knob to OFF & LOCK.
2. Turn the Control Knob to RUN. This will raise the ram to its topmost position. The compactor will automatically advance to the end of the cycle and stop.
3. You can open the drawer after the compactor stops.

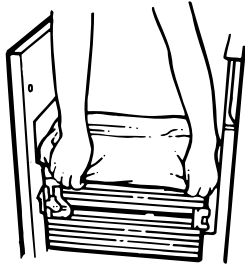
Installing a new bag

Before installing a new bag, be sure:

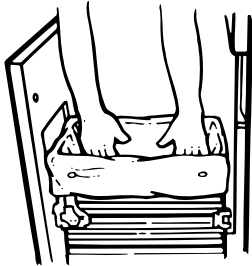
1. The drawer side is securely locked.
2. The container is clean and free of sharp debris that may have punctured the bag.

Do not use any kind of bag other than those designed especially for use in your compactor. For the location of your nearest genuine parts source, refer to the "Requesting Assistance and Service" section.

1. Place folded bag into the drawer. Open bag and pull top edges over the drawer top.



2. Lock bag in place by pulling the four prepunched holes over the bag retainer buttons. Holes will expand over the buttons without damaging the bag.
3. Press inside of bag against the drawer bottom, sides and corners for a smooth fit.



NOTE: Additional bags (Model No. TCB 12) may be purchased from Jenn-Air dealers. For more information, call 1-800-JENN-AIR (1-800-536-6247).

Removing a filled bag

When the trash is compacted to the top of the drawer, remove the bag. If the bag is too heavy, compact less trash before emptying in the future.

⚠ WARNING

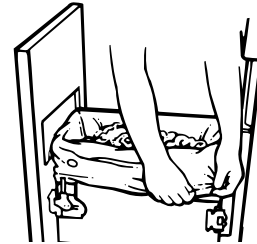


Cut Hazard

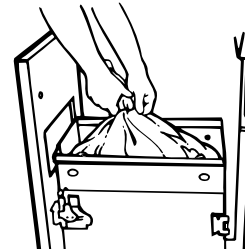
Do not touch sharp objects that have cut through the bag.

Doing so can result in cuts.

1. Pull the drawer completely open.
2. Remove top of bag from retainer buttons. Pull up all four bag cuffs.



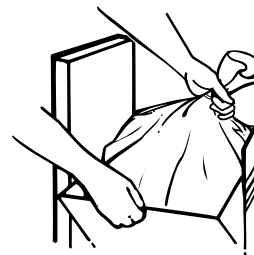
3. Close bag with provided twist tie.



4. Push Side-Lock latch down and tilt drawer side open.



5. Lift out bag.



Cleaning Your Compactor

Before cleaning the compactor, turn the Control Knob to the OFF position and remove. If you will be away for more than a couple of days, remove the compactor bag. Remove the Control Knob and store it in a safe place.

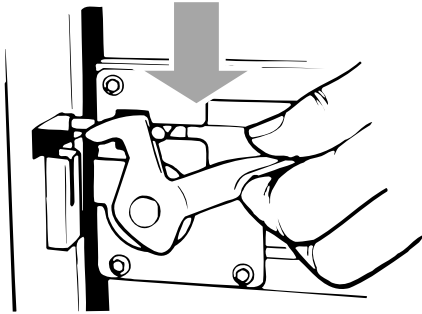
NOTE: Any services other than those outlined in this section should be performed by a designated service representative.

Cleaning exterior surfaces

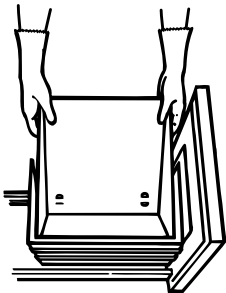
1. Wipe with warm, sudsy water and a damp cloth. Rinse. Dry with a soft cloth.
2. Wipe up spills right away. Some foods can damage the finish if left on the compactor surface.

Cleaning inside the drawer

1. Wear protective gloves. There may be bits of glass in the drawer.
2. Remove the bag. (See "Removing a filled bag" section.)
3. Press Side-Lock latch down.



4. Hold and tilt side of drawer until the lock clears the drawer front.

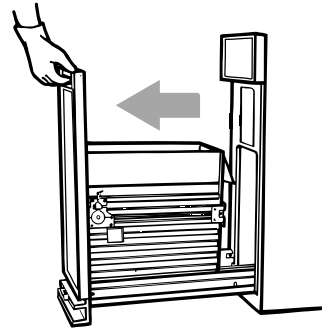


NOTE: If desired, drawer side can be removed by tilting it up, then lifting it out.

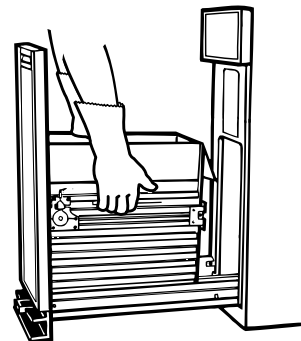
5. Wash with a damp cloth using warm, soapy water. Rinse. Dry with a soft cloth.
6. If drawer side was removed, slide it back into the tilted position.
7. Press the Side-Lock latch down while pressing the side to the upright position.
8. Latch the drawer side by pushing up the Side-Lock latch.

Cleaning inside the cabinet

1. Wear protective gloves. There may be bits of glass in the cabinet.
2. Pull the drawer out until it stops.
3. Note the tracks in which the drawer rollers move.

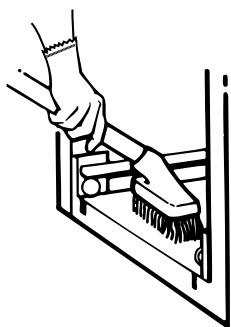


4. Lift the front to clear the drawer stops.
5. Grasp the drawer on the sides.



6. Pull it out the rest of the way.

7. Set it down gently.
8. Vacuum inside of cabinet. Liquid spills or wet trash should be cleaned up by hand, or by using a vacuum designed to pick up liquids.



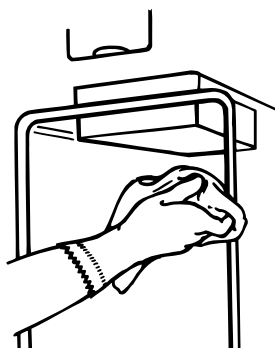
9. Wash, rinse, and dry inside.

Replacing the drawer

1. Grasp the drawer sides.
2. Insert the drawer, making sure the drawer rollers are positioned properly on the tracks.
3. Lift the drawer to clear stop tabs. Push in the drawer.

Cleaning the ram

1. Wear protective gloves. There may be bits of glass on the ram cover.
2. Wipe glass particles off ram cover with paper towels or a cloth.
3. Use warm, sudsy water to remove foods. Rinse. Dry with a soft cloth.



Troubleshooting

First try the solutions suggested here and possibly save the cost of a service call.

Your compactor won't operate.

- **Is the power supply cord unplugged?**
Firmly plug the cord into a live outlet with the proper voltage.
- **Has a household fuse or circuit breaker tripped?**
Replace the fuse or reset the circuit breaker.
- **Is the drawer completely closed?**
Close the drawer firmly and start the compactor again.
- **On some models, is the Control Knob turned all the way to START?**
Turn Control Knob fully to START and release.

Trash is not compacting.

- **Is the drawer less than 1/2 full?**
Drawer must be at least 1/2 full before compactor will compact.

The drawer won't open.

- **Is the ram all the way up?**
Drawer will open only when ram is fully raised.
- **To raise the ram:**
Turn the Control Knob to OFF & LOCK. Once the compactor stops, turn the Control Knob to RUN. At this time the ram will return to the raised position. You can then open the drawer.

Drawer won't close.

- **Have trash or other objects fallen behind the door?**
Check behind drawer; remove any foreign objects.

There is not enough compaction or force.

- **Do you use the compacting cycle frequently enough?**
Compacting works best when only a few items are loaded.

Bottles don't break.

- **How often do you notice this?**
Not all bottles break every time, depending on the bottle and the trash load below it.

Requesting Assistance and Service

Before calling for assistance or service, please check the “Troubleshooting” section. It may save you the cost of a service call. If you still need help, follow the instructions below.

FOR ASSISTANCE AND SERVICE IN THE U.S.A.:

If the problem is not due to one of the items listed in the “Troubleshooting” section...

Call the dealer from whom your appliance was purchased, or call Maytag Appliance Sales Company, Jenn-Air Customer Assistance at 1-800-688-1100 or 1-423-472-3333 to locate an authorized service company.

When calling, please know the purchase date and the complete model and serial number of your appliance. (See the “Warranty” section for information on owner’s responsibility for warranty service.) Be sure to retain proof of purchase to verify warranty status.

If the dealer or service company cannot resolve your problem, write to:

**Jenn-Air Customer Service
Attn: CAIRSM Center
P.O. Box 2370
Cleveland, TN 37320-2370
Web address: www.jennair.com**

Or call: **1-800-688-1100.**

U.S. customers using TTY for deaf, hearing impaired or speech impaired, call: **1-800-688-2080** (Monday-Friday, 8:00 a.m.-8:00 p.m. Eastern Time).

NOTE: When writing or calling about a service problem, please include the following information:

1. Your name, address and daytime telephone number.
2. Appliance model number and serial number.
3. Name and address of your dealer or servicer.
4. A clear description of the problem you are having.
5. Proof of purchase (sales receipt).

All specifications are subject to change by manufacturer without notice.

Recycling With Your Compactor



These codes indicate which type of plastic was used in manufacturing the container. Your recycling program will confirm which codes are accepted for recycling.



Plastics with this symbol cannot be recycled.



Items with this symbol can be recycled or were made from recycled materials.

A compactor makes recycling and landfill reduction efforts more effective and efficient.

Here's how:

Recycling guidelines

Contact your community recycling program or local recycling organizations to find out which items are accepted for recycling and how they should be prepared and organized. These programs will provide essential recycling guidelines:

- **Method and frequency of collection**—curbside collections and drop-off centers.
- **Categories of recyclable items, and how to distinguish between them.** Plastic containers are identified by codes on the bottom. Sort by the numbers inside the triangular arrows. For example, most plastic soda bottles and some cleaning bottles have code 1; most milk and water jugs, laundry and personal hygiene product containers have code 2. Paper and cardboard containers (paperboard) also have recycle symbols to indicate a container is recyclable.
- **Preparations of recyclable items.** Most recycling programs provide specific guidelines on preparation. For example, aluminum cans and plastic containers need to be rinsed out, lids removed, but often labels can be left on.

IMPORTANT:

- Some items, such as glass, should not be compacted.
- Most recycling programs will not accept crushed glass.
- Check with your recycling program for specific guidelines on preparing recyclables.

Organizing the recycling workspace

Convenient recycle bins are made to fit in the compactor drawer. These bins, as well as plastic compactor bags, can be purchased in a variety of colors at hardware stores and supermarkets.

Set up a system of color-coded bags in an area chosen for processing recyclables. Each color can represent a category of recyclable items, based on types specified by your recycling program.

Separate recyclable items from nonrecyclable items:

- **Recyclable items** can be sorted using the color-coded bags. Prepare items according to guidelines provided by your recycling program.
- **Nonrecyclable items** should be compacted because compaction reduces trash volume to its original size: four bags of trash can be compacted into one bag. This contributes to reducing landfill volume and related waste transportation burdens.

REMEMBER: Do not expect items which contain minimal air, such as folded newspapers, to compact significantly.

Compacting recyclable items

Most recycling programs want the consumer to crush or flatten recyclable items such as plastics, cans, and paperboard. Compacting recyclable items consolidates volume and thereby reduces transportation costs—and also helps manage recycling workspace more effectively. The compactor is ideal for such a task.

When a **plastic bag** is full enough to require compacting, place the bag in the drawer as shown in "Installing a new bag." Then follow instructions in "Using Your Compactor." When the compacting cycle is complete, remove the plastic bag as shown in "Removing a filled bag" and return it to storage until it is full enough to recycle.

Remember, compacting both recyclables and nonrecyclables means less solid waste and waste transportation costs—and a better environment for all.

Reduce – Reuse – Recycle

JENN-AIR Compactor Warranty

FULL ONE-YEAR WARRANTY

For one (1) year from the date of original retail purchase, any part which fails in normal home use will be repaired or replaced free of charge.

LIMITED TWO-YEAR WARRANTY

From the second year through the end of the third year following the date of original retail purchase, parts which fail in normal home use will be repaired or replaced free or charge for the part itself, with the owner paying all other costs, including labor, mileage and transportation.

PLEASE NOTE: These full warranties apply only when the compactor is located in the United States or Canada. Compactors located elsewhere are covered by the limited warranty only, including limited warranties for parts which fail during the first year.

CANADIAN RESIDENTS

These warranties cover only those compactors installed in Canada that have been listed with Canadian Standards Association unless the compactors are brought into Canada due to transfer of residence from the United States to Canada.

The specific warranties expressed above are the ONLY warranties provided by the manufacturer. These warranties give you specific legal rights, and you may also have other rights that vary from state to state.

What is Not Covered by These Warranties:

- Conditions and damages resulting from any of the following:
 - Improper installation, delivery or maintenance.
 - Any repair, modification, alteration or adjustment not authorized by the manufacturer or an authorized servicer.
 - Misuse, abuse, accidents or unreasonable use.
 - Incorrect electric current, voltage or supply.
 - Improper setting of any control.
- Warranties are void if the original serial numbers have been removed, altered or cannot be readily determined.
- Products purchased for commercial or industrial use.
- The cost of service or service call to:
 - Correct installation errors.
 - Instruct the user on proper use of the product.
 - Transport the appliance to the servicer.
- Consequential or incidental damages sustained by any person as a result of any breach of these warranties.

Some states do not allow the exclusion or limitation of consequential or incidental damages, so the above exclusion may not apply.

User's guides, service manuals and parts catalogs are available from Maytag Appliances Sales Company, Maytag Customer Assistance.

6/99

Keep this book and your sales slip together for future reference. You must provide proof of purchase or installation date for in-warranty service.

Write down the following information about your compactor to better help you obtain assistance or service if you ever need it. You will need to know your complete model number and serial number. You can find this information on the model and serial number label, located on your appliance as shown in the Parts and Features section of this book.

Dealer name _____

Address _____

Phone number _____

Model number _____

Serial number _____

Purchase date _____